



2400 Kg



3150x780x1875



15 m



11,9 m

### Vacuum Manipulator

600 Kg radio remote controlled vacuum manipulator



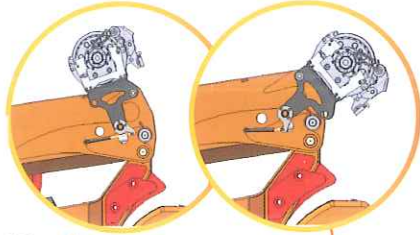
### Plug & Play Attachments

LMI Automatic recognizing system for all the attachments



### Three different JIB available

- 800 Kg Hydraulic flying JIB
- 800 Kg Mechanical flying JIB
- 800 Kg Searcher hook



### Winch

70° slewing winch in two different positions to reduce the tail radius

Limitless  
360°  
rotation

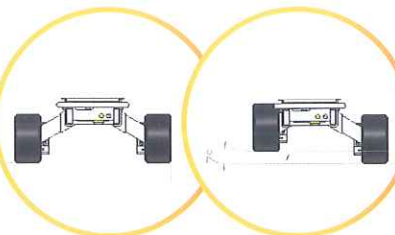
### Tools

All the tools are carried and stored on the crane



### Power Pack

Mono-phase or three-phase external Power Pack for indoors works



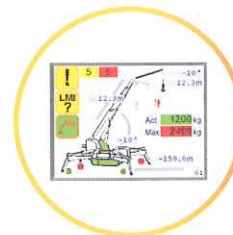
### Extendable Tracks 45°

Independent extendable tracks for ground clearance increase



### Radio Remote Control

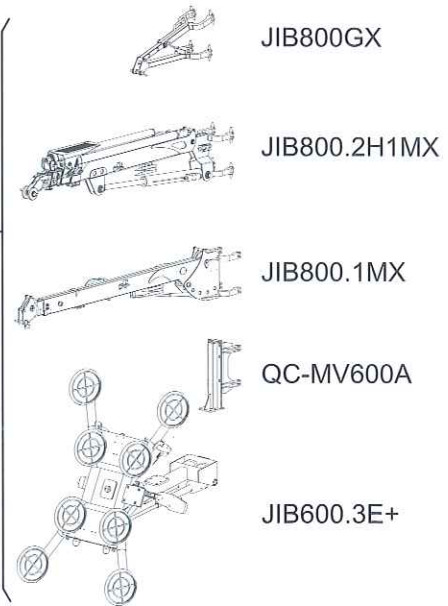
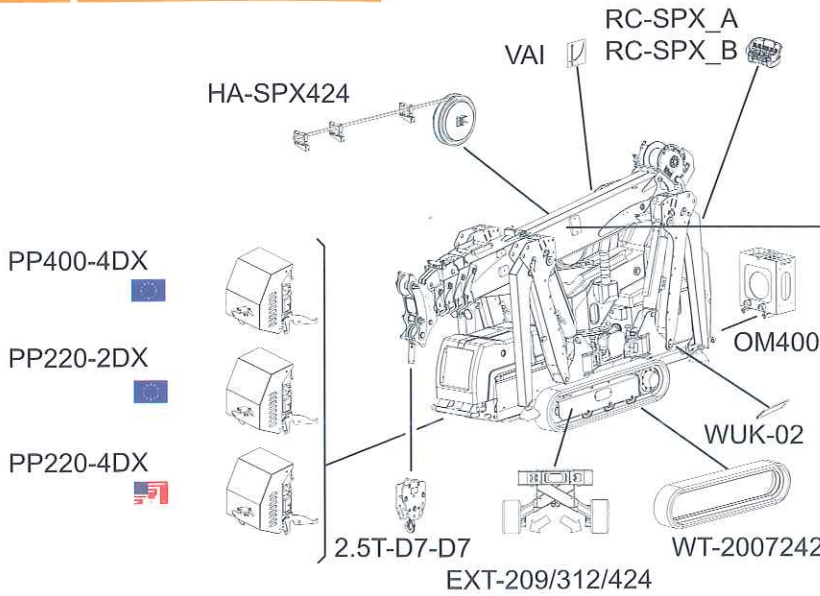
- Large display
- Proportional radio remote control with two batteries
- Crane and crawl control



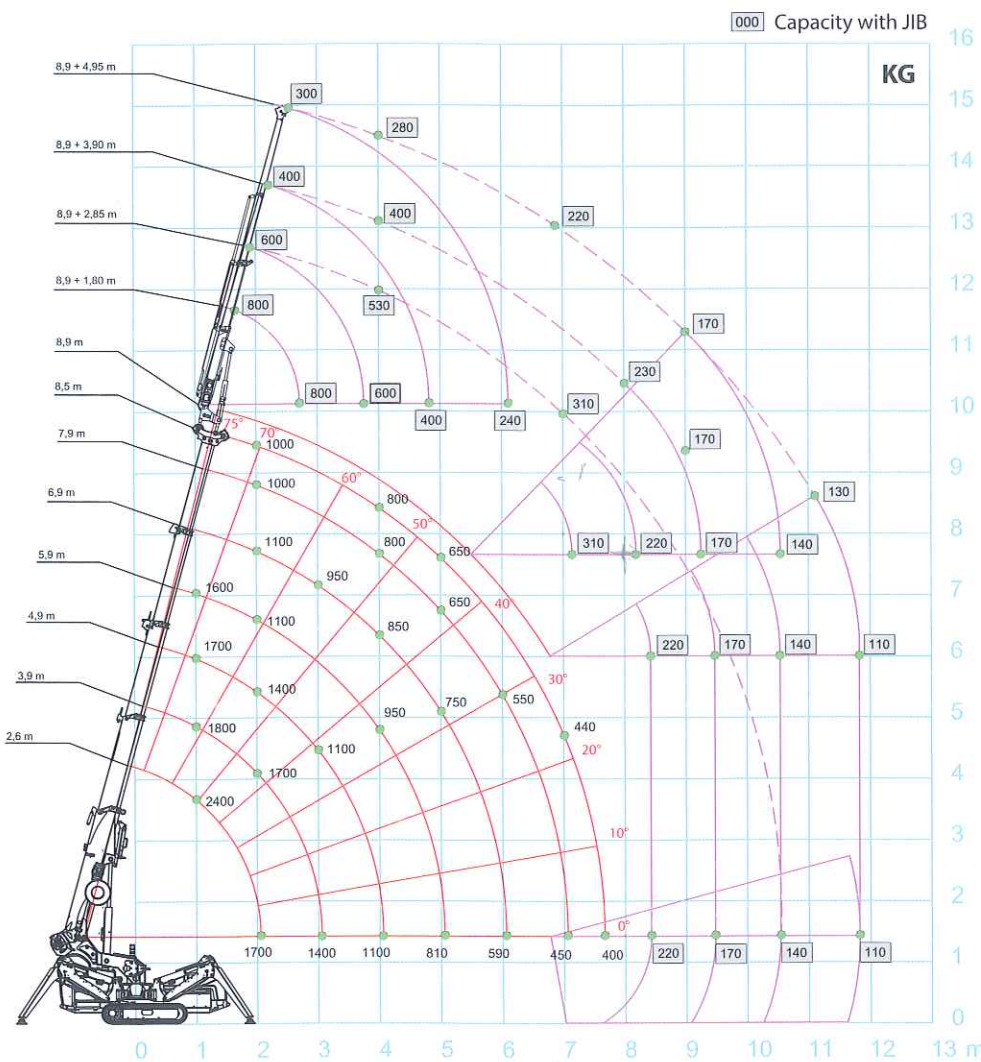
### Electronic LMI

- Load and moment indicator
- Plug & Play
- Diagnostic troubleshooting
- Friendly display with all the information
- Full safety respect EN13000

## Crane Options



## Load Chart



## Technical Info

3150 x 780 x 1875 mm  
L x W x H

3700 x 3700 mm

kg

SPX424CDH 2030

SPX424C+ 2130

/ 200

2.5T-D7 20

PP400-4DX 45

PP220-4DX

PP220-2DX

JIB800GX 25

JIB800.1MX 110

JIB800.1H1MX 140

JIB800.2H1MX 150

MR800.4 295

SPX424CDH KUBOTA D722-E3B

3 kW 14,9kW  
20Hp

SPX424C+ n°4 6V 240 Ah 24 V-3F  
4,0 kW 5,5 Hp