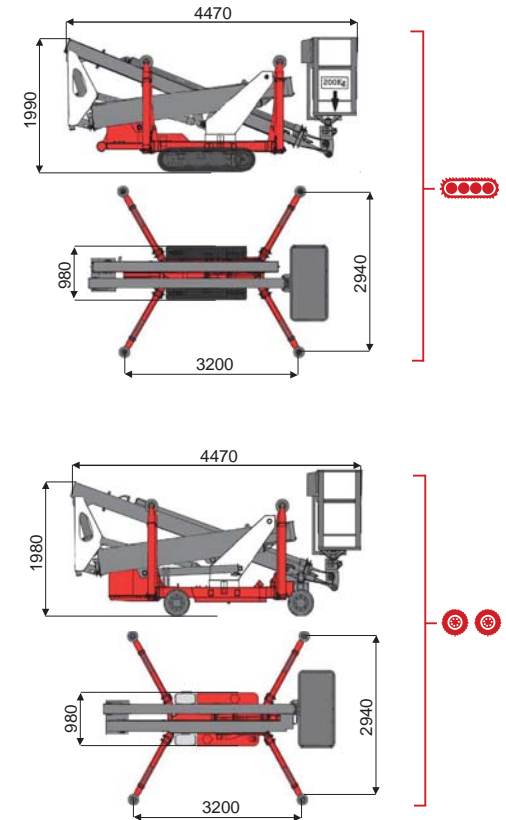
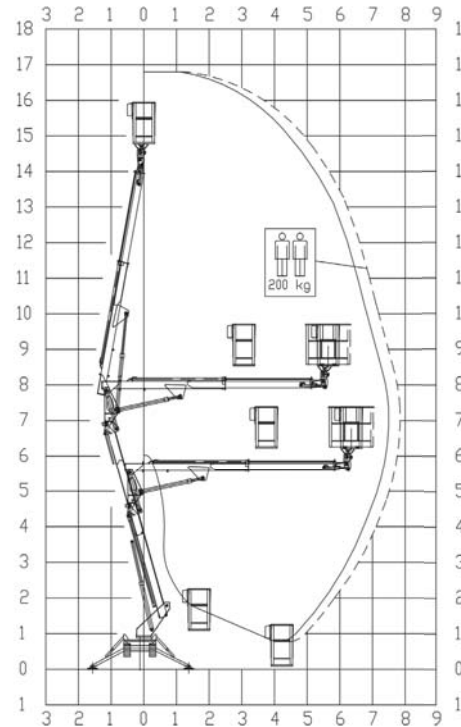




17 m ↑  
7,8 m →  
200 Kg 👤 👤



BI-ENERGY  
Diesel+AC



TZX 170/C		17 m	7,8 m	200 kg	360°	140x70 cm	90°+90°	2,94 m	15%	20%	2 km/h	2000 kg	1300 daN	2,6 daN/cm <sup>2</sup>	0,36 daN/cm <sup>2</sup>	980 mm	4470 mm	1990 mm
TZX 170/R		17 m	7,8 m	200 kg	360°	140x70 cm	90°+90°	2,94 m	15%	20%	2 km/h	2000 kg	1300 daN	2,6 daN/cm <sup>2</sup>	4,76 daN/cm <sup>2</sup>	980 mm	4470 mm	1980 mm



Battery type



Battery charge



Add. Weight



Autonomy



Charging time

Electropump

ECO	DC+AC		24V 240 A/h	230V-24V 40A	230 kg	3-4 h endless	6h	24V 5.5 kW
-----	-------	--	-------------	--------------	--------	---------------	----	------------