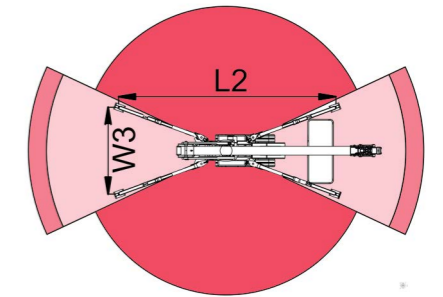
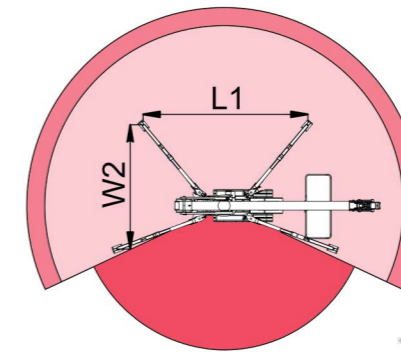
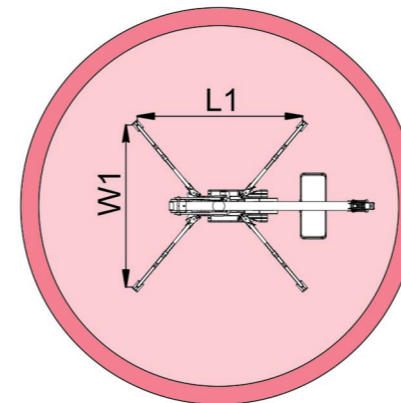
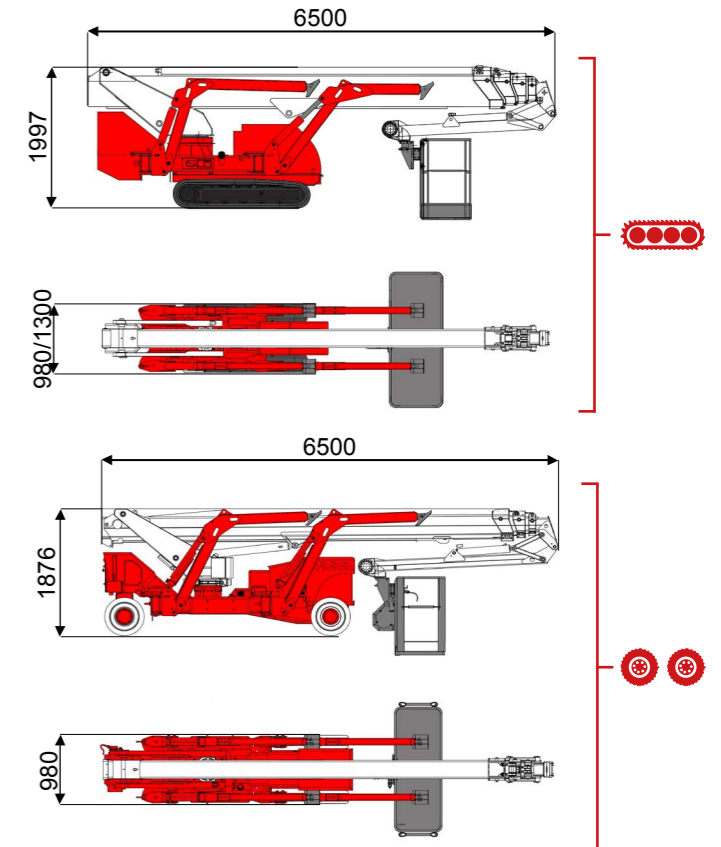
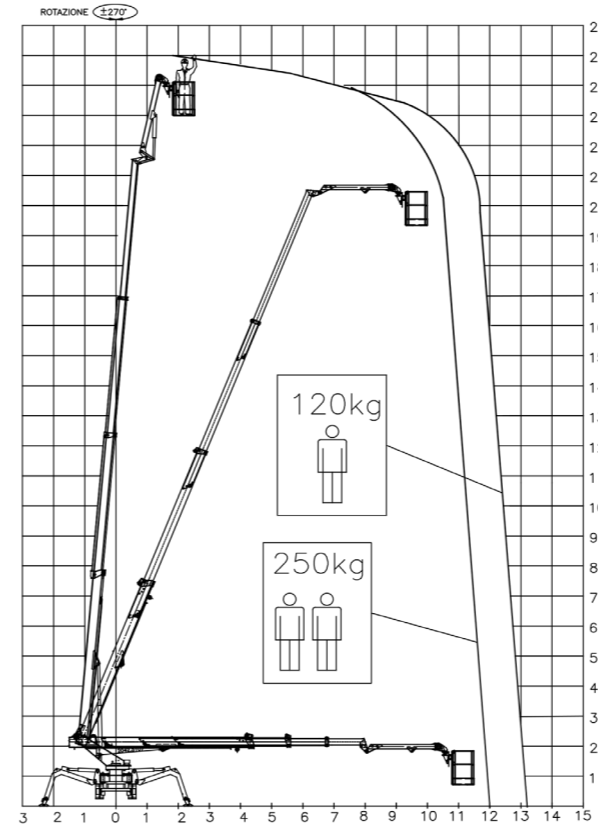




25 m ↑
13 m →
250 Kg 👤 👤



| | | | | | | | |
|----------|----------|------------|---------|---------|---------|---------|---------|
| 12000 mm | 13200 mm | 7000 mm | L1 | L2 | W1 | W2 | W3 |
| 250 kg | 120 kg | 120/250 kg | 4971 mm | 6542 mm | 4853 mm | 3732 mm | 2610 mm |

| | | | | | | | | | | | | | | | | | | | | |
|-------------------------------|--|--|------|------|--------|------|------|-----------|---------|------------|-----|-----|----------|---------|-------|------------|------------|-------------|---------|---------|
| BI-ENERGY Diesel+AC | | | | | | | | | | | | | | | | | | | | |
| TSJ 25/C | | | 25 m | 13 m | 250 kg | 175° | 660° | 180x70 cm | 90°+80° | 2,6-4,85 m | 30% | 40% | 1,4 km/h | 3950 kg | 26 kN | 1,78 kN/m² | 3,21 kN/m² | 980/1300 mm | 6500 mm | 1997 mm |
| TSJ 25/R | | | 25 m | 13 m | 250 kg | 175° | 660° | 180x70 cm | 90°+80° | 2,6-4,86 m | 30% | 25% | 1,3 km/h | 3950 kg | 26 kN | 1,78 kN/m² | 3,21 kN/m² | 980 mm | 6500 mm | 1876 mm |

| | | | | | | | | |
|---------------|------------------|--|-------------|--------------|--------|---------------|----|------------|
| | | | | | | | | |
| ECO | DC+AC | | 48V 320 A/h | 230V-48V 45A | 450 kg | 6-7 h endless | 7h | 48V 12 kW |
| ECO | DC+AC | | 48V 270 A/h | 230V-48V 45A | 400 kg | 6-7 h endless | 7h | 48V 9 kW |
| HYBRID | Diesel+DC | | 24V 240 A/h | 230V-24V 35A | 200 kg | 2-3 h endless | 7h | 24V 5,5 kW |

Characteristics and technical data are informative only and subjected to change without notice.